



## SYSTEM **KAN-therm**

Manifolds, series 61, 81, 91

### INSTALLATION AND OPERATION MANUALS

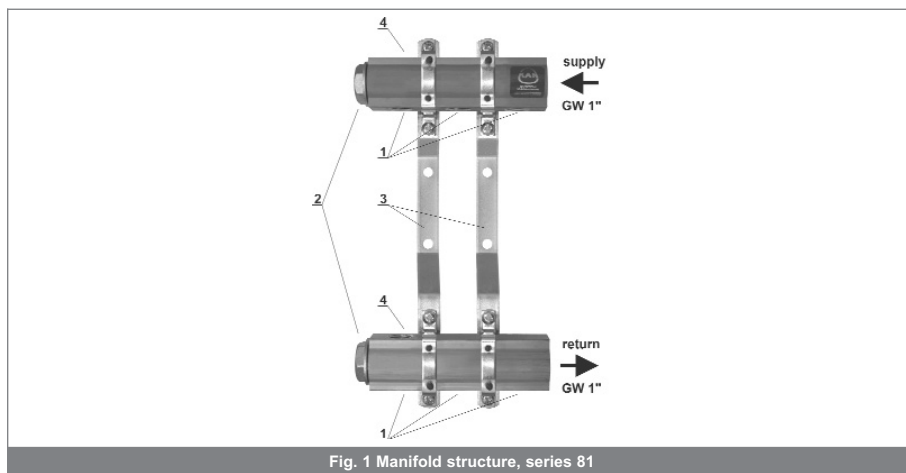
Manifold structure and application, series 81 .....	26
Manifold structure and application, series 61, 91 .....	28
Installation of typical manifold components.....	30



2010

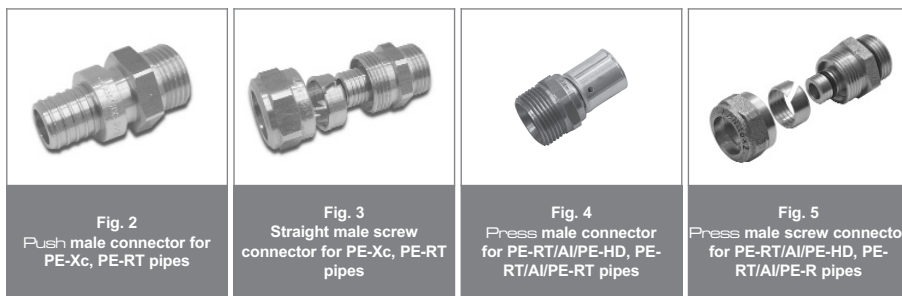
© Copyright **KAN** Sp z o.o. All rights reserved.  
Text, images, graphics and their arrangement in **KAN** Sp z o.o.  
are protected by proprietor's rights.

## Manifold structure and application, series 81



System **KAN-therm** manifold, series 81 is designed for use in heating systems. It consists of upper and lower bodies made of brass profile G1".

Each individual heating circuit is connected using male screw connectors (Push or screw type, Fig. 2 and 3) for PE-Xc, PE-RT pipes and male screw connectors (Push or screw type, Fig. 4 and 5) for PE-RT/AI/PE-HD, PE-RT/AI/PE-RT pipes.

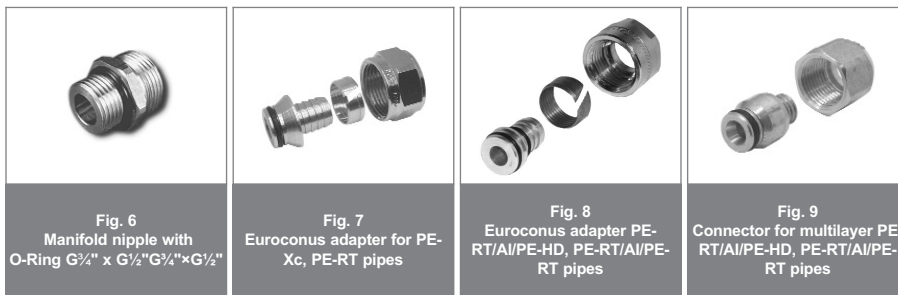


This type of connections should be sealed using tow and paste or teflon tape (note that male screw connector for multilayer pipes 16×2 G½" (9025.1, Fig. 5) has its own sealing)

**Warning: Not too much sealant!**

SYSTEM **KAN-therm** - Manifolds, series 61, 81 & 91 - Installation and operation manuals

Heating circuits can be connected to a manifold using manifold nipple with O-Ring G $\frac{3}{4}$ " $\times$ G $\frac{1}{2}$ " and eurocone adapter for PE-RT, PE-Xc pipes or eurocone adapters and connectors for multilayer PE-RT/Al/PE-HD, PE-RT/Al/PE-RT pipes. These types of connections are self-sealing connections (no additional sealing with tow or teflon tapes!).



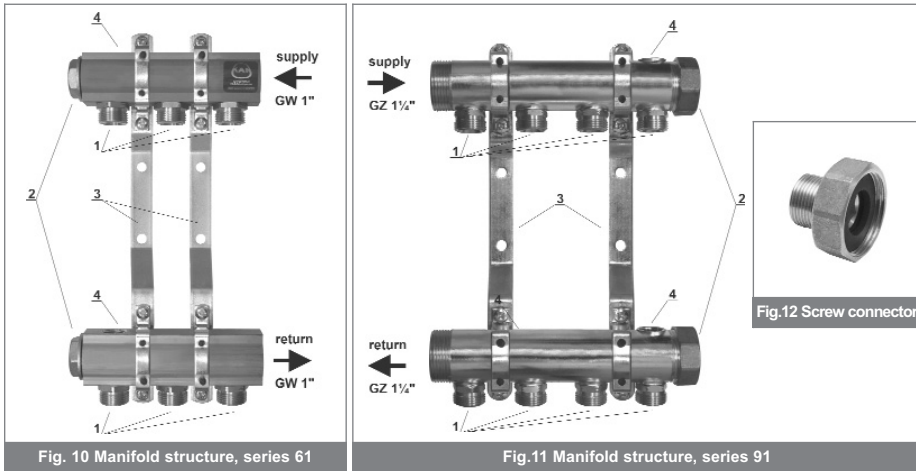
**Manifold structure, series 81:**

1. Each individual output GW $\frac{1}{2}$ ", spacing 50 mm.
2. Male plug G1" with sealing (standard equipment).
3. Brackets with holes for fixing manifold in a cabinet (fixing screws belong to a standard delivery).
4. A hole in an upper and lower body, GW $\frac{1}{2}$ ", to fix a vent.

Manifold supply and return should be connected using special straight sets (K-600400) or angle sets (K-600500) standard equipped with their own seals, offered by **KAN**.

Having plugs (2, Fig. 1) removed from upper and lower body, the manifold can be equipped with accessories - see section "Installation of typical manifold components".

## Manifold structure and application, series 61, 91



Systemu **KAN-therm** manifolds, series 61 and 91 are designed for use in heating systems. Manifolds consist of upper and lower bodies made of brass profile:

- G1" - series 61,
- G1¼" - series 91

Each individual circuit is connected to a manifold using screw connectors for PE-Xc, PE-RT pipes or screw connectors for PE-RT/Al/PE-HD, PE-RT/Al/PE-RT pipes. This types of connections are self-sealing connections (no additional sealing with tow or teflon tapes!).



Fig. 7  
Euroconus adapter for PE-Xc, PE-RT pipes



Fig. 8  
Euroconus adapter for multilayer PE-RT/Al/PE-HD, PE-RT/Al/PE-RT pipes

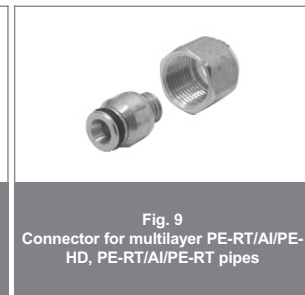


Fig. 9  
Connector for multilayer PE-RT/Al/PE-HD, PE-RT/Al/PE-RT pipes

### Manifold structure, series:

1. Manifold outputs for each individual circuit with external thread G¾" (euroconus fitting).
2. Threaded plug with seal (standard equipment):
  - a. GZ1" - series 61 (Fig.10),
  - b. GW1¼" - series 91 (Fig.11).
3. Brackets with holes for fixing manifold in a cabinet (fixing screws belong to standard delivery).
4. A hole in the upper and lower body, GW½", to fix a vent.

---

SYSTEM **KAN-therm** - Manifolds, series 61, 81 & 91 - Installation and operation manuals

---

Manifold supply and return, series 61, should be connected using special straight sets (K-600400) or angle sets (K-600500) standard equipped with their own seals, offered by **KAN**.

To connect supply and return of a manifold, series 91, special adaptors offered by **KAN** should be used (Fig. 12): 1¼" x 1" (91000) lub 1¼" x ¾" (91001). An adapter has its own sealing - don't use any additional tow with paste or teflon tape!

Having plugs (2, Fig. 1, 10) removed from upper and lower body, the manifold can be equipped with accessories (series 81, 61) - see section "**Installation of typical manifold components**".

**Remark: Manifold series 91 has another structure. Therefore, typical manifold components cannot be used.**

## Installation of typical manifold components

All typical components mentioned above have their own O-Rings. Therefore, don't use any additional seal with tow or teflon tape (except self-acting air vents with foot valve).



Manifold 61 or 81 with plug G1" (6095.43)



Manifold 61 or 81 with reduction G1"×G $\frac{3}{4}$ " (4.13)



Manifold 61 or 81 with reduction G1"×G $\frac{1}{2}$ " (4.12)



Manifold 61 or 81 with reduction G1"×G $\frac{1}{2}$ " (4.12) and drain & vent valve (1305.11)



Manifold 61 or 81 with automatic air vent and drain valve (R5541)



Manifold 61 or 81 with T-connection (R541), plug G $\frac{1}{2}$ " (6095.34) and manual air vent (5322)

SYSTEM **KAN-therm** - Manifolds, series 61, 81 & 91 - Installation and operation manuals



Manifold 61 or 81 with T-connection (R542), plug G $\frac{1}{2}$ " (6095.34) and drain & vent valve (1305.11)



Manifold 61 or 81 with T-connection (R542), plug G $\frac{1}{2}$ " (6095.34) and self-acting air vent and foot valve (0.52071)

**Warning!**  
Self-acting air vent with foot valve (0.52071) has no O-Ring.  
To seal a connection teflon tape or tow is to be used.



Upper and lower body of manifold 61 or 81 with straight set (K-600400)

**Note!**  
Sets are delivered completely, i.e. upper and lower part.



Upper body of manifold 61 or 81 with angle set (K-600500)

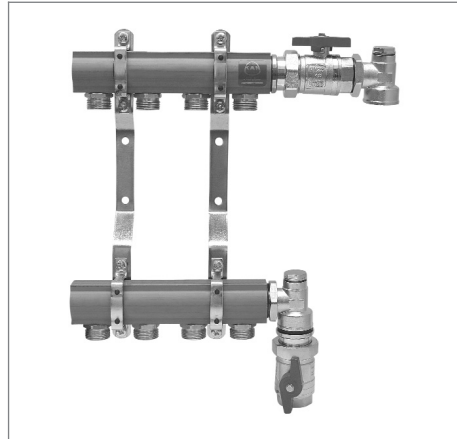
**Note!**  
Sets are delivered completely, i.e. upper and lower part.

SYSTEM **KAN-therm** - Manifolds, series 61, 81 & 91 - Installation and operation manuals



Lower body of manifold 61 or 81 with angle set (K-600500)

Note!  
Sets are delivered completely, i.e. upper and lower part.



Manifold 61 or 81 with complete angle sets.